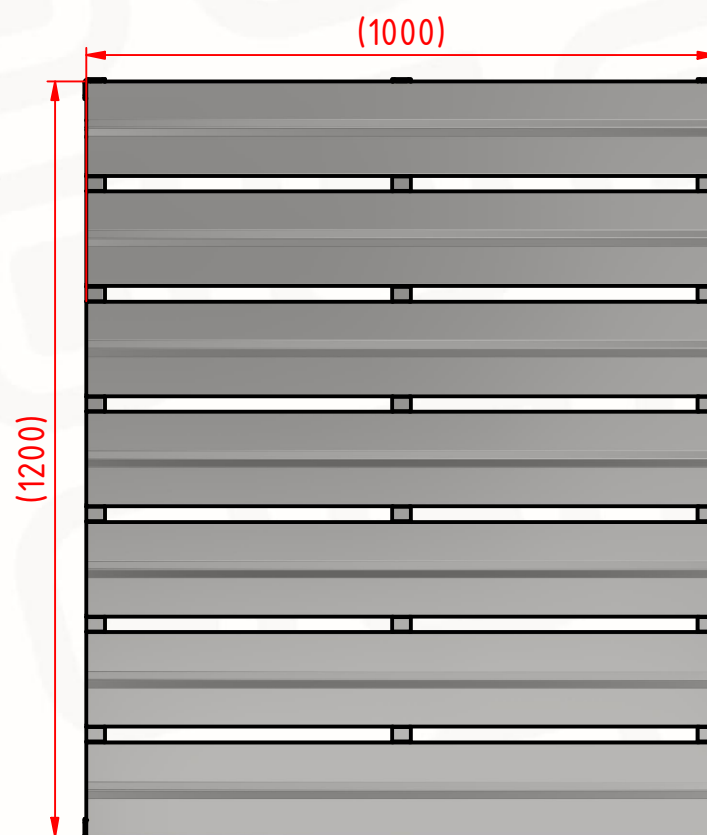
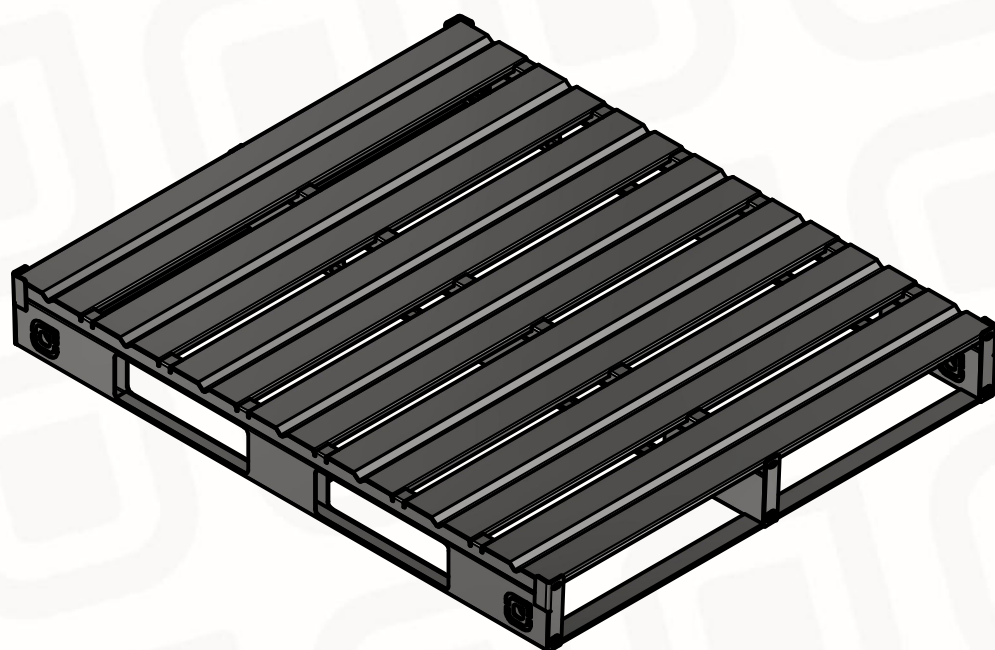
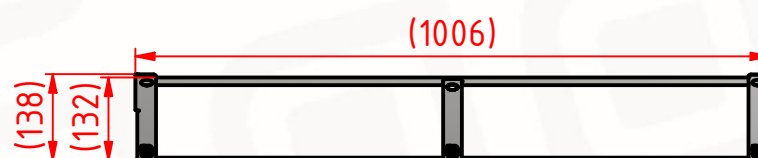
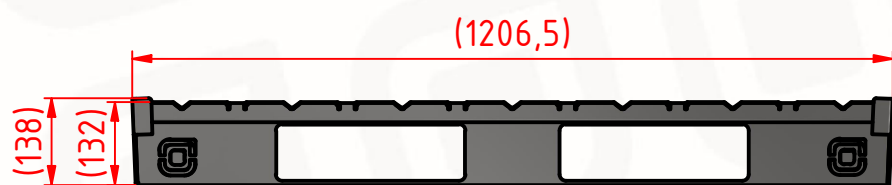


# TECHNICAL SPECIFICATION SHEET: UNIPAS - S PALLET - GB HD



<b>DESCRIPTION:</b>		<b>Pallet made of S 235 structural steel, welded, hot dip galvanized</b>
<b>EXTERNAL DIMENSIONS:</b>	<b>(W1000xL1200xH132mm)</b>	<b>KEY FEATURES:</b>
<b>EMPTY WEIGHT:</b>	<b>43,5 kg</b>	-4-WAY ENTRY DESIGN,HIGH LOAD CAPACITY
<b>DYNAMIC LOAD:</b>	<b>2500 kg *</b>	-GREAT STABILITY AND STACKABILITY-CORNER STOPS
<b>STATIC LOAD:</b>	<b>5000 kg *</b>	-RESILIENCE AND ROBUSTNESS-EXTRA DURABLE
<b>STANDARD COLOR:</b>	<b>UNIFORM SOFT GRAY</b>	-100% RESISTANCE TO CORROSION AND ATMOSPHERIC AGENTS
<b>MATERIAL:</b>	<b>S 235 STEEL,HOT DIP GALVANIZED</b>	-EASY TO STERILIZE-NO MOLDS,NO VERMIN,NO CONTAMINATION
<b>WORKING TEMPERATURE:</b>	<b>-40+100°C</b>	-FULL FIRE RESISTANCE
<b>STANDARD TRAILER:</b>	<b>546 units</b>	-FULL RECYCLABILITY
<b>MEGA TRAILER:</b>	<b>572 units</b>	<b>FIELDS OF APPLICATION:</b>
<b>20 GP:</b>	<b>170 units</b>	<b>CHEMICAL INDUSTRY-</b> HARSH ENVIRONMENTS AND SAFE USE IN CHEMICAL PRODUCTION & STORAGE
<b>40 GP:</b>	<b>357 units</b>	<b>FOOD TRANSPORT AND HANDLING-</b> EASY TO CLEAN AND STERILIZE,NO CONTAMINATION
<b>40 HC:</b>	<b>416 units</b>	<b>HEAVY CONSTRUCTS-</b> EXCELLENT FOR LARGE AND HEAVY ITEMS
		<b>LONG-TERM OUTDOOR STORAGE-</b> WEATER RESISTANCE,NO DEGRADATION

**DISCLAIMER:**

**\* Subjected to internal Unipas statical and dynamical testing.  
The suitability of application is to be consulted with Unipas.  
Specifications subject to change without further notice.  
All dimensions approximate.**

